



**charcoal:** PB-PC-CG



**black:** PB-PC-BL



**cloud:** PB-PC-CW



**leaf:** PB-PC-LG



**apple:** PB-PC-AR



**driftwood:** PB-PC-DW



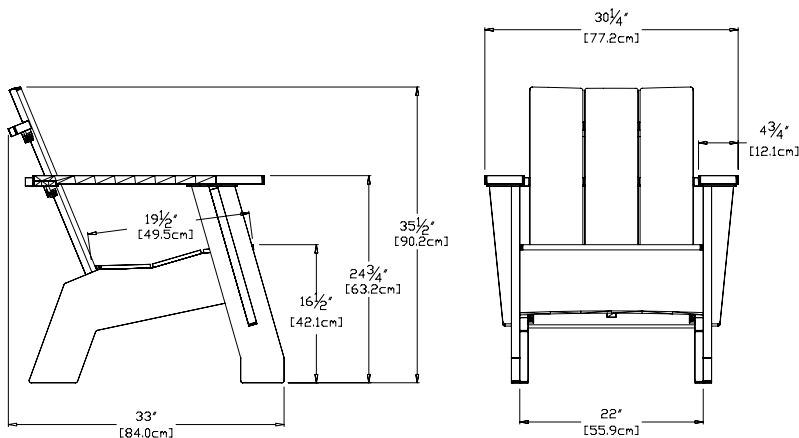
**navy blue:** PB-PC-NB



**sky:** PB-PC-SB



**sunset:** PB-PC-OR



**collection:** adirondack  
**material:** 100% recycled HDPE  
**dimensions:** width: 30.25" (77.2cm)  
 depth: 33" (84.0cm)  
 height: 35.5" (90.2cm)  
**weight:** 61 lbs (27.7kg)



**488**  
reclaimed  
milk jugs

**shipping dimensions:** 36" x 24" x 12"  
 30" x 6" x 30"  
**shipping weight:** 77 lbs (34.9kg)



shipped knocked down  
some assembly required

