



charcoal: AD-HD4ST-CG

Base, legs and arms of the HD Adirondacks use 1" plastic to create an extremely sturdy chair that is intended for very heavy use application (like parks) and for environments where the chairs need to be permanently mounted with the Loll integrated "L" bracket security mounts.



black: AD-HD4ST-BL



cloud: AD-HD4ST-CW



leaf: AD-HD4ST-LG



chocolate: AD-HD4ST-CB



apple: AD-HD4ST-AR



sunset: AD-HD4ST-OR



sky: AD-HD4ST-SB



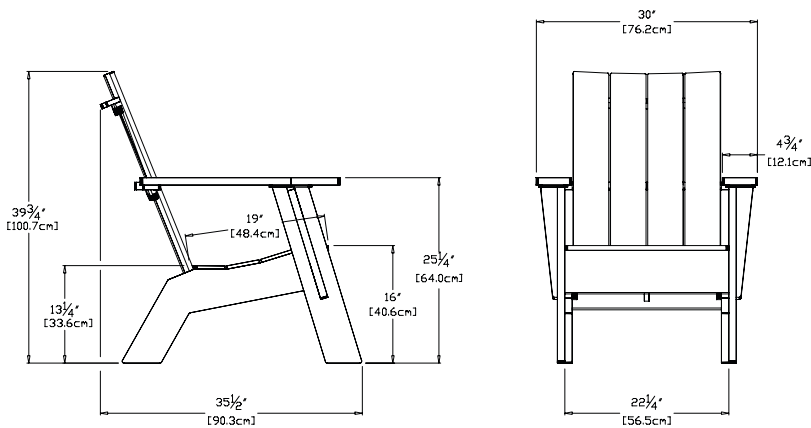
sand: AD-HD4ST-SD



evergreen: AD-HD4ST-EG



navy blue: AD-HD4ST-NB



collection: adirondack
material: 100% recycled HDPE
dimensions: width: 30" (76.2cm)
 depth: 35.5" (90.3cm)
 height: 38.75" (100.7cm)
weight: 60 lbs (27.2kg)



480
reclaimed
milk jugs

shipping dimensions: 36" x 24" x 12"
shipping weight: 69 lbs (31.3kg)



shipped knocked down
some assembly required

