



charcoal: LC-LS-CG



black: LC-LS-BL



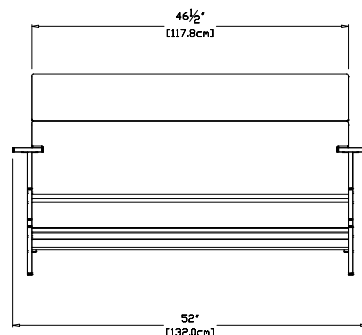
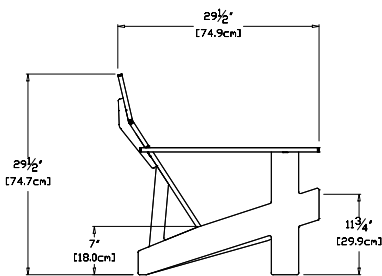
cloud: LC-LS-CW



leaf: LC-LS-LG



apple red: LC-LS-AR



driftwood: LC-LS-DW



navy blue: LC-LS-NB



sky: LC-LS-SB



sunset: LC-LS-OR

collection: lollygagger

material: 100% recycled HDPE

dimensions: width: 52" (132.0cm)
depth: 29.5" (74.9cm)
height: 29.5" (74.7cm)

weight: 73 lbs (33.1kg)



584
reclaimed
milk jugs



flat pack shipped
some assembly required

shipping dimensions: 25" x 5.5" x 48"
shipping weight: 80 lbs (36.3kg)

